



Catalogue 2010  
DIESEL & GASOLINE  
PORTABLE GENERATORS  
STANDBY GENERATOR



ITCPOWER Group is a company specialized in the development, manufacturing, importing and distribution for Generating Sets up to 500 Kva, Engines, Water Pumps and High Pressure Washers both gasoline and diesel powered.

We are Licensee Company for HYUNDAI brand generators for more than 35 countries all over the world.

ITCPOWER has developed a large range of Generating Sets and Engine pumps in order to cover all needs for professional and consumers.

Our mission is to offer a complete range of products at competitive prices and excellent performances with the best After Sales Service at the same level as other well known brands in EUROPE and the US and in JAPAN.

To achieve this goal, we have established our own production facilities with own staff to check "in situ" all the processes of assembly, settings and testing to make sure that the products delivered are the products expected for our customers quality wise. Each unit is tested one by one during the assembly process and more deeply before packing to assure a constant and controlled quality to our customers.

Another point of greatest attention is the After-Sales Service.

We have the most complete information available to our partners and distributors to have the best support for the maintenance and repair of our machines.

The firm was founded in EUROPE on 2001 by two partners with extensive experience in the international markets for machinery and especially the Generating Sets and Water Pumps.

The range is in constant evolution to meet the needs of our most exigent customers.

ITCPOWER is present in 5 continents and more than 50 countries with Europe, America, Oceania and Africa as our main markets.

Our facilities with 120 persons, 20.000sq meters allow us to produce over 100.000 units per year.



*Production Line 1*



*Production Line 2*



*TEST center 1*



*TEST center 2*

## Diesel Generator



Open Professional [01-04](#)



Silent Professional [05-06](#)

## Gasoline Generator



Inverter [07-08](#)



Open Hobby [09-10](#)



Open Basic [11-12](#)



Open Economic [13-14](#)



Open Professional [15-18](#)



Semi-Silent Professional [19-20](#)

## Welders



Open Professional [21-22](#)

**Options**

[23-24](#)

**Spare parts**

[25-26](#)



## FEATURES

- 4 stroke air cooled direct injection diesel engine
- Full frame for better protection diameter 32mm.
- Double base frame for lower vibrations ( DHY6000L(E)-(3) )
- Large Fuel tank
- Oil alert with automatic engine shut off

## ENGINE

- Compact, direct Injection Engine, Easy installation and low fuel consumption
- Low vibration and low noise
- Quick and easy start
- A small dimensions engine to stand for a hard work
- Miniaturized fuel injection system

## ALTERNATOR

- Compact and light design
- AVR regulation
- Stable performance
- Brush type
- Optional Brushless type

## CONTROL PANEL

### Include:

- Precise overload protection over measurement of current.
- LED display LED4
- Preheating system for easy starting
- 30 mA Leakage Circuit Breaker
- Single Phase 2 sockets 16A
- Three Phase 2 sockets 1x 16A 5poles and 1x 16A 2poles
- DC output 12V 8.3Amp.with 1.5m cable
- Earth connection

### Optional:

- ATS connection
- Easy connector
- Remote control

## OPTIONS / ACCESORIES

- 22 or 32mm. Frame
- Other control panel configurations
- Different push wheel kits system
- Different/personal frame design
- Weather proof components
- Brushless alternator
- Push wheel kit



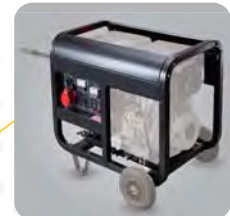
**Professional panel**  
4 functions LED display & 30mA leakage circuit breaker



**Easy connector**  
to control box



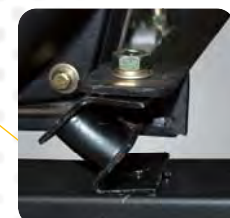
**AVR regulation**  
ensures smooth voltage output



**32mm steel tube**  
provides strong frame



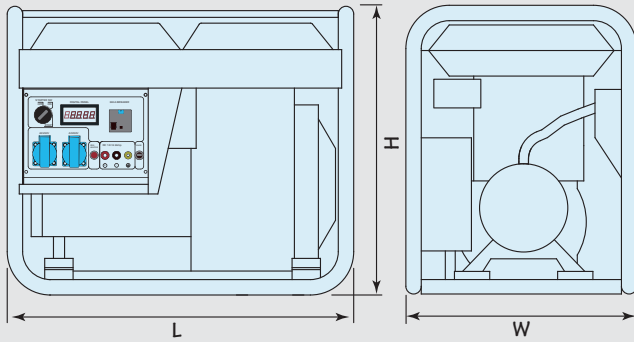
**Direct injection Injection pump**  
provides easy start and low fuel consumption



**vibration absorber base**  
support the whole generator set

*Product might show optional equipment*

# Diesel Generator Open Professional 01-02



## HYUNDAI



Ⓜ GASOLINE GENERATING SET  
 Ⓟ GROUPE ELECTROGENE ESSENCE  
 Ⓡ BENZIN STROMERZEUGER  
 Ⓢ GRUPPO ELETTOGENO GASOLINA  
 Ⓣ GRUPPI ELETTROGENI BENZINA



TYPE:   
  
 FREQUENCY/VOLTAGE: \_\_\_ Hz/\_\_\_ V   
 \_\_\_ Hz/\_\_\_ V   
 N.W./P.N. KG G.W./P.B. KG  
 LXWXH: (mm)  
 No.: \_\_\_\_\_

Model	Product Size (mm)			Packaging Size (mm)			Package Material
	Length	Width	Height	Length	Width	Height	
DHY2500L	610	460	530	630	480	565	Carton
DHY4000L/E	680	460	560	710	480	600	Carton
DHY6000L/E	720	480	600	740	500	645	Carton
DHY6000L/E-3	720	480	600	740	500	645	Carton

Generator Model	DHY2500L/E	DHY4000L/E	DHY6000L/E	DHY6000L/E-3
<b>Generator Set</b>				
Frequency (Hz)	50	50	50	50
Rated Power	2 kW	3 kW	5 kW	6.3 kVA
Max.Power	2.2 kW	3.3 kW	5.5 kW	6.9 kVA
Voltage (V)	230	230	230	400
Current (A)	9.6	14.3	23.9	16.2
Sockets	2x16A	2x16A	2x16A	1x 16A/3~ & 1x 16A/1~(1)
Display	LED4	LED4	LED4	LED4
Fuel Tank Capacity (L)	14	14	14	14
Running Time under 50% Load (hr.)	30	21	13	13
Noise Level behind 7 Meters 50% Load (dBA)	76.9	77.1	77.5	77.5
DC Output (V/A) (2)	12 / 8.3	12 / 8.3	12 / 8.3	12 / 8.3
Battery (Ah)	17	17	36	36
<b>Engine</b>				
Engine Type	Diesel	Diesel	Diesel	Diesel
Engine	D200	D300	D400	D400
Power Output (HP)	4.2	6	10	10
Start Method	Manual / Elec. start	Manual / Elec. start	Manual / Elec. start	Manual / Elec. start
Displacement (ml)	211	296	418	418
Oil Capacity (L)	0.75	1.1	1.65	1.65
<b>Alternator</b>				
Alternator	A2-1	A3-1	A5-1	A5-3
Rated Power (kVA)	2	3	5	6.3
Power Factor (Cosφ)	1	1	1	0.8
Voltage Regulation	AVR	AVR	AVR	AVR
<b>Log.data</b>				
N.W.(kg)	55/66	68/79	93/108	93/108
G.W.(kg)	58/69	72/83	98/113	98/113
Loading capacity 20/40/40HQ	164/340/340	108/222/293	102/213/281	102/213/281

(1) Single phase socket thermal protected  
 (2) 100W max. output. 10A fuse protection

**DHY-diesel generator set L-large fuel tank E-electric start -3-three phase**  
 ● Specifications are subject to continuous product development

## FEATURES

- V-twin, 4 stroke air cooled direct injection diesel engine
- Strong frame for better protection
- Double base frame for lower vibrations
- Double Muffler for noise reduction and better engine performance
- Large Fuel tank
- Oil alert with automatic engine shut off
- 4 air wheels

## ENGINE

- V-twin diesel engine provides strong power
- Low vibration and low noise
- Compact structure, light weight
- A small dimensions engine to stand for a hard work
- Low fuel consumption, low emission
- BOSCH injector, SKF main bearing ensures long life running

## ALTERNATOR

- Compact and light design
- AVR regulation
- Stable performance
- Brush type

## CONTROL PANEL

### Include:

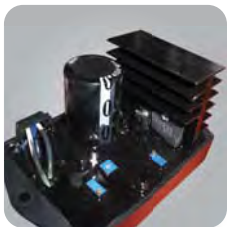
- Precise overload protection over measurement of current.
- LED display. HY502
- 30 mA Leakage Circuit Breaker
- Single phase 2 sockets 32A & 16A
- Three phase 1 socket 16A 5 poles, 1 socket 16A 2 poles
- DC output 12V 8.3Amp. with 1.5 meter cable
- Earth connection

### Optional:

- ATS connection
- Remote control
- Easy connector

## OPTIONS / ACCESORIES

- Other control panel configurations
- Different push wheel kits system
- Different/personal frame design
- Weather proof components



**AVR regulation**  
ensures smooth voltage output



**Easy connector**  
to control box



**double base frame**  
better shock absorption, less vibrations



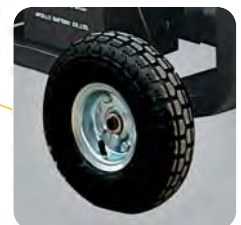
*Product might be different from photographs shown*



**Professional panel**  
4 functions LED display & 30mA leakage circuit breaker

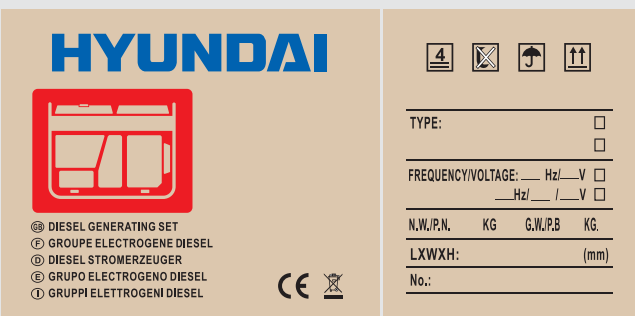
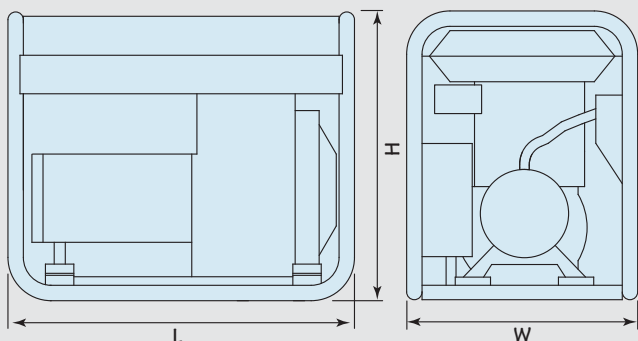


**HYUNDAI V-twin diesel engine**  
provides strong power



**four wheels**  
easy moving & reduce vibration

# Diesel Generator Open Professional 03-04



Model	Product Size (mm)			Packaging Size (mm)			Package Material
	Length	width	height	Length	width	height	
DHY12000LE	860	625	720	960	700	940	Veneer Box
DHY12000LE-3	860	625	720	960	700	940	Veneer Box
DHY15000LE	860	625	720	960	700	940	Veneer Box
DHY15000LE-3	860	625	720	960	700	940	Veneer Box

Generator Model		DHY12000LE	DHY12000LE-3	DHY15000LE	DHY15000LE-3
Generator Set	Frequency (Hz)	50	50	50	50
	Rated Power	10 kW	12 kVA	11.0 kW	13.7 kVA
	Max.Power	11 kW	14 kVA	12.1 kW	15.1 kVA
	Voltage (V)	230	400	230	230
	Current (A)	47.8	19.8	52.6	21.8
	Sockets	1x 16A 1x 32A	1x 16A/3~ & 1x 16A/1~(1)	1x16A 1x32A	1x 16A/3~ & 1x 16A/1~(1)
	Display	LED4	LED4	LED4	LED4
	Fuel Tank Capacity (L)	14	14	14	14
	Running Time under 50% Load (hr.)	8?	8?	7.5?	7.5?
	Noise Level behind 7 Meters 50% Load (dBA)	79	79	79.5	79.5
	DC Output (V/A) (2)	12 / 8.3	12 / 8.3	12 / 8.3	12 / 8.3
	Battery (Ah)	36	36	36	36
Engine	Engine Type	Diesel	Diesel	Diesel	Diesel
	Engine	D840E	D840E	D870E	D870E
	Power Output (HP)	22	22	25	25
	Start Method	Electrical start	Electrical start	Electrical start	Electrical start
	Displacement (cc)	836	836	870	870
	Oil Capacity (L)	1.7	1.7	1.7	1.7
Alternator	Alternator	A10-1	A10-3	A11-1	A11-3
	Rated Power (kVA)	10	12	11	14
	Power Factor (Cosφ)	1	0.8	1	0.8
	Voltage Regulation	AVR	AVR	AVR	AVR
Log.data	N.W.(kg)	200	200	205	105
	G.W.(kg)	220	220	225	225
	Loading capacity 20/40/40HQ	36/74/74	36/74/74	36/74/74	36/74/74

(1) Single phase socket thermal protected  
 (2) 100W max. output. 10A fuse protection

DHY-diesel generator set L-large fuel tank E-electric start -3-three phase  
 ● Specifications are subject to continuous product development



## FEATURES

- 4 stroke air cooled direct injection diesel engine
- Closed canopy ensures silent running
- LCD controller ensures multi-functions and precise overload protection
- Large Fuel tank
- Oil alert with automatic engine shut off

## ENGINE

- Compact, direct Injection engine, easy installation and low fuel consumption
- Low vibration and low noise
- Quick and easy start
- A small dimensions engine to stand for a hard work
- Miniaturized fuel injection system

## ALTERNATOR

- Compact and light design
- AVR regulation
- Stable performance
- Brush type
- Optional Brushless type

## CONTROL PANEL

### Include:

- Precise overload protection over measurement of current.
- LED display. HY502
- 30 mA Leakage Circuit Breaker
- Single phase 2 sockets
- Three phase 1 socket 16A 5 poles, 1 socket 16A 2 poles
- DC output 12V 8.3Amp. with 1.5 meter cable
- Earth connection

### Optional:

- ATS connection
- Remote control
- Easy connector

## OPTIONS / ACCESORIES

- Different/personal frame design
- Weather proof components and painting
- ATS (Automatic Transfer Switch)



**Window for AVR regulation**  
Allows easy acces for After Sales



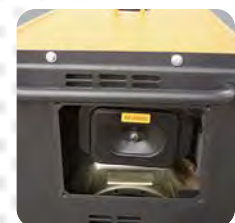
**Direct injection Injection pump**  
provides easy start and low fuel consumption



**Flying ring & push wheels**  
for easy moving and transportation



**Professional panel**  
4 functions LED display & 30mA leakage circuit breaker



**Window for changing air filter**

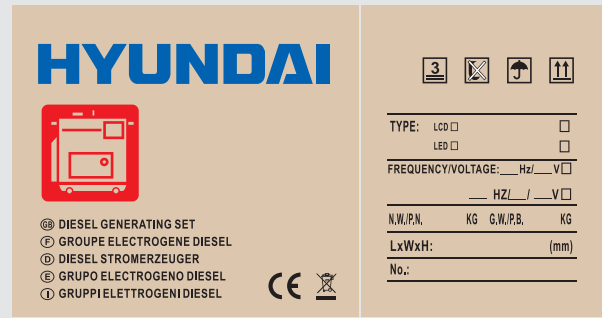
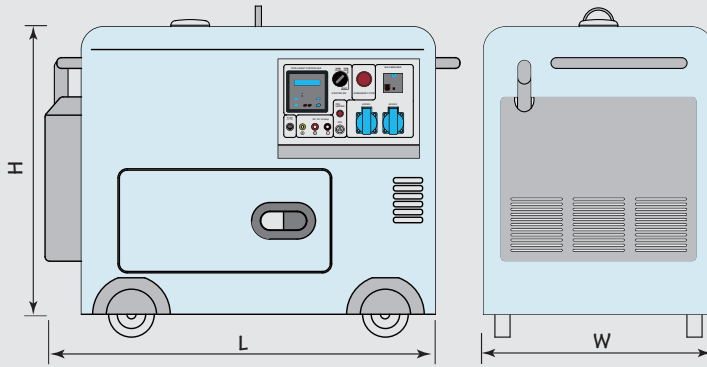


**DHY12000/15000SE-(3)**  
heavy power with soundproof protection

*Product might be different from photographs shown*



# Diesel Generator Silent Professional 05-06



Model	Product Size (mm)			Packaging Size (mm)			Package Material
	Length	Width	Height	Length	Width	height	
DHY6000SE	920	520	760	950	570	790	Carton
DHY6000SE-3	920	520	760	950	570	790	Carton
DHY12000SE	1040	660	740	1140	730	790	Veneer Box
DHY12000SE-3	1040	660	740	1140	730	790	Veneer Box
DHY15000SE	1040	660	740	1140	730	790	Veneer Box
DHY15000SE-3	1040	660	740	1140	730	790	Veneer Box

Generator Model	DHY6000SE	DHY6000SE-3	DHY12000SE	DHY12000SE-3	DHY15000SE	DHY15000SE-3
<b>Generator Set</b>						
Frequency (Hz)	50	50	50	50	50	50
Rated Power	5 kW	6.3 kVA	8.7 kW	10.9 kVA	12.5 kW	13.75 kVA
Max. Power	5.5 kW	6.9 kVA	9.2 kW	11.9 kVA	14 kW	15.2 kVA
Voltage (V)	230	400	230	400	230	400
Current (A)	23.9	16.2	40	16.6	54	19.8
Sockets	2x16A	1x 16A/3~ & 1x 16A/1~(1)	1x 16A & 1x 32A(1)	1x 16A/3~ & 1x 16A/1~(1)	1x 16A & 1x 32A(1)	1x 16A/3~ & 1x 16A/1~(1)
Display	LED4	LED4	LED4	LED4	LED4	LED4
Fuel Tank Capacity (L)	17	17	21	21	21	21
Running Time under 50% Load (hr.)	16	16	18?	18?	17.5?	17.5?
Noise Level behind 7 Meters 50% Load (dBA)	72.6	72.6	76	76	77	77
DC Output (V/A) (2)	12 / 8.3	12 / 8.3	12 / 8.3	12 / 8.3	12 / 8.3	12 / 8.3
Battery (Ah)	36	36	36	36	36	36
<b>Engine</b>						
Engine Type	Diesel	Diesel	Diesel	Diesel	Diesel	Diesel
Engine	D400	D400	D840E	D840E	D870E	D870E
Power Output (HP)	10	10	22	22	25	25
Start Method	Elec. start	Elec. start	Elec. star	Elec. star	Elec. star	Electrical start
Displacement (ml)	418	418	836	836	870	870
Oil Capacity (L)	1.65	1.65	1.7	1.7	1.7	1.7
<b>Alternator</b>						
Alternator	A5-1S	A5-3S	A9-1S	A9-3S	A12.5-1S	A12.5-3S
Rated Power (kVA)	5	6.3	9	11	12.5	14
Power Factor (Cosφ)	1	0.8	1	0.8	1	0.8
Voltage Regulation	AVR	AVR	AVR	AVR	AVR	AVR
<b>Log. data</b>						
N.W.(kg)	160	160	245	245	245	245
G.W.(kg)	167	167	280	280	280	280
Loading capacity 20/40/40HQ	48/100/146	48/100/146	30/64/94	30/64/94	30/64/94	30/64/94

(1) Single phase socket thermal protected  
 (2) 100W max. output. 10A fuse protection

**DHY-diesel generator set L-large fuel tank E-electric start -3-three phase**  
 ● Specifications are subject to continuous product development

## FEATURES

- Ideal for sensitive equipment
- Inverter technology that assures 100% stable voltage
- Compact and portable design for home and emergency stand-by appliances

## ENGINE

- 4 stroke OHV air cooled gasoline engine
- Low vibration and low noise
- Quick and easy start
- A small dimensions engine to stand for a hard work
- Miniaturized fuel injection system
- Low fuel consumption
- Oil alert system with automatic engine shut-off

## ALTERNATOR

- Compact and light design
- Electronic regulation
- Stable performance
- Brush less type
- Pure wave sinus

## CONTROL PANEL

### Include:

- 2 sockets (1 for HY1000Si)
- Overload protection
- DC protection
- LED indicator for overload protection, running.
- Power safe switch for save fuel consumption when not running at full load.
- Earth connection

## OPTIONS / ACCESORIES

- Transport wheel trolley
- Electric start for all model (not for HY1000Si)
- Remote control
- Other sockets connection



Fuel prime pump

to assure and easy and fast start up  
Available in models HY2000/3000Si



PP+V plastic case

provides strong resistance



ECO switch

variable engine speed for  
economic mode

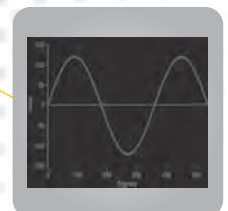


Fuel cap covered

assures a clean fill up



HY3600SEi

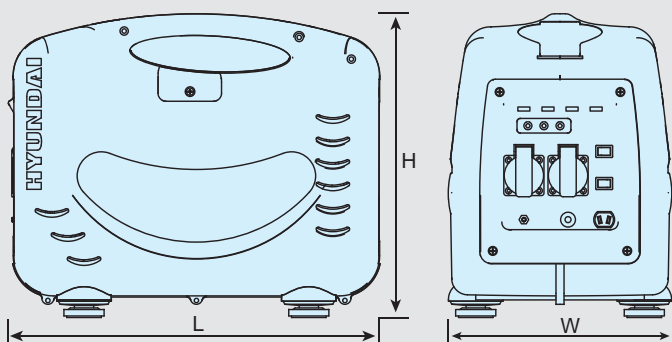


pure sinusoidal curve

ensures smooth & perfect regulation

*Product might be different from photographs shown*

# Gasoline Generator Inverter 07-08



Model	Product Size (mm)			Packaging Size (mm)			Package Material
	Length	width	height	Length	width	height	
HY1000Si	464	278	391	490	300	410	Color carton box
HY2000S(E)i	551	308	488	575	330	507	Color carton box
HY3000S(E)i	551	308	488	575	330	507	Color carton box
HY3600S(E)i	600	452	500	650	510	565	Heavy duty carton

Generator Model		HY1000Si	HY2000S(E)i	HY3000S(E)i	HY3600SEi
Generator Set	Frequency (Hz)	50	50	50	50
	Rated Power	0.9 kW	2.0 kW	2.6 kW	3.2 kW
	Max.Power	1.0 kW	2.2 kW	2.8 kW	3.4 kW
	Voltage (V)	230	230	230	230
	Current (A)	4.4	9.5	13.2	14.8
	Sockets	1x16A	2x 16A	2x 16A	2x16A
	Display	LED	LED	LED	LED
	Fuel Tank Capacity (L)	2.7	4.5	4.5	13
	Running Time under 50% Load (hr.)	4.5	5.5	4.5	7
	Noise Level behind 7 Meters 50% Load (dBA)	58	58	58	58
	DC Output (V/A)	12 / 8.3	12 / 8.3	12 / 8.3	12 / 8.3
	Battery (Ah)	-	6	6	7
Engine	Engine Type	Gasoline	Gasoline	Gasoline	Gasoline
	Engine	HX53	HX125	HX149	HX229
	Power Output (HP)	2	4.9	5.2	6.6
	Start Method	Manual start	Manual/Electric start	Manual/Electricstart	Electric start
	Displacement (ml)	53	125	149	229
	Oil Capacity (L)	0.25	0.45	0.45	0.9
Alternator	Alternator	A11	A12	A26I	A32I
	Rated Power (kVA)	0.9	2	2.8	3
	Power Factor (Cosφ)	1	1	1	1
	Voltage Regulation	Electronic	Electronic	Electronic	Electronic
Log.data	N.W.(kg)	13	27	28.5	55
	G.W.(kg)	15	30	31.5	60
	Loading capacity 20/40/40HQ	445/906/1086	280/576/700	280/576/700	159/328/328

**HY-gasoline generator set S-Soundproof E-Electric Start i-Inverter technology**  
 ● Specifications are subject to continuous product development



## FEATURES

- Full frame for better protection diameter 32mm.
- Simple frame design to reduce weight
- Oil alert with automatic engine shut off

## ENGINE

- 2 stroke air cooled gasoline engine, mix oil 50:1(HYH960A)
- 4 stroke air cooled gasoline engine
- Low vibration and low noise
- Quick and easy start
- A small dimensions engine to stand for a hard work
- Miniaturized fuel injection system
- Low fuel consumption

## ALTERNATOR

- Compact and light design
- AVR regulation
- Stable performance
- Brush type
- Optional Brushless type

## CONTROL PANEL

### Include:

- Volt meter
- 2 sockets for single phase, 1 socket for HYH960A
- Circuit breaker
- DC output 12V 8.3A
- Earth connection

## OPTIONS

- Wheel Kits
- Full Color Packaging



AVR regulation  
ensures smooth voltage output  
(not available in all models)



vibration absorber  
support the whole generator set



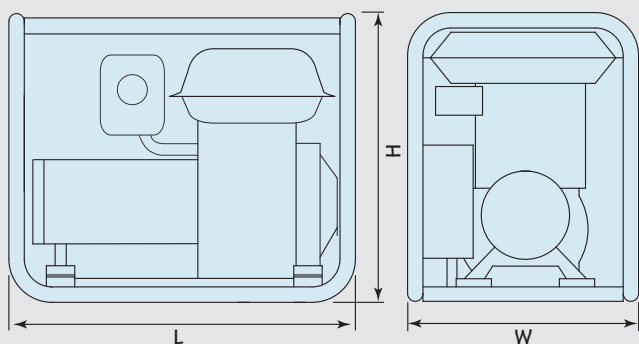
HYH960A  
2 stroke engine



HY1200L  
1000w generator, 4 stroke

*Product might be different from photographs shown*

# Gasoline Generator Open Hobby 09-10



## HYUNDAI



Ⓜ GASOLINE GENERATING SET  
 Ⓜ GROUPE ELECTROGENE ESSENCE  
 Ⓜ BENZIN STROMERZEUGER  
 Ⓜ GRUPO ELECTROGENO GASOLINA  
 Ⓜ GRUPPIELETTROGENI BENZINA



TYPE:   
 FREQUENCY/VOLTAGE: \_\_\_ Hz / \_\_\_ V   
 \_\_\_ HZ / \_\_\_ V   
 N.W./P.N. KG G.W./P.B. KG  
 LXWXH: (mm)  
 No.:

Model	Product Size (mm)			Packaging Size (mm)			Package Material
	Length	width	height	Length	width	height	
HYH960A	370	310	320	380	320	330	Carton
HY1200L	450	355	370	460	365	385	Carton
HY2200F	600	435	455	610	445	470	Carton
HY3000F	600	435	455	610	445	470	Carton
HY6800FE	700	510	575	710	520	590	Carton

Generator Model	HYH960A	HY1200L	HY2200F	HY3000F	HY6800FE
<b>Generator Set</b>					
Frequency (Hz)	50	50	50	50	50
Rated Power	750 W	900 W	2 kW	2.5 kW	5 kW
Max. Power	800 W	1.0 kW	2.2 kW	2.8 kW	5.5 kW
Voltage (V)	230	230	230	230	230
Current (A)	4.1	4.3	9.5	10.8	23.8
Sockets	1x 16A	2x 16A	2x 16A	2x 16A	2x 16A
Display	Volt meter	-	Volt meter	Volt meter	Volt meter
Fuel Tank Capacity (L)	4	4.8	15	15	12
Running Time under 50% Load (hr.)	10	13	16	15	8
Noise Level behind 7 Meters 50% Load (dBA)	60	66	69	69	69
DC Output (V/A) (1)	12 / 8.3	12 / 8.3	12 / 8.3	12 / 8.3	12 / 8.3
Battery (Ah)	--	--	--	--	--
<b>Engine</b>					
Engine Type	Gasoline	Gasoline	Gasoline	Gasoline	Gasoline
Engine	IC45	IC90	IC160	IC200	IC390
Power Output (HP)	2	2.4	5.5	6.5	13.5
Start Method	Manual start	Manual start	Manual start	Manual start	Electric start
Displacement (ml)	63	90	163	196	389
Oil Capacity (L)	0.3	0.6	0.6	0.6	1.1
<b>Alternator</b>					
Alternator	A0.7H	A1H	A2H	A25H	A5H
Rated Power (kVA)	0.75	1	2	2.5	5
Power Factor (Cosφ)	1	1	1	1	1
Voltage Regulation	Brushless Condenser	Brushless Condenser	AVR	AVR	AVR
<b>Log. data</b>					
N.W.(kg)	19	28	40	41	69
G.W.(kg)	20	30	42	43	72
Loading capacity 20/40/40HQ	760/1560/1760	475/470/470	180/380/380	180/380/380	105/180/210

(1) 100W max. output. 10A fuse protection

## FEATURES

- Full frame for better protection diameter 32mm.
- Simple frame design to reduce weight
- Oil alert with automatic engine shut off

## ENGINE

- 4 stroke air cooled gasoline engine
- Low vibration and low noise
- Quick and easy start
- A small dimensions engine to stand for a hard work
- Miniaturized fuel injection system
- Low fuel consumption

## ALTERNATOR

- Compact and light design
- AVR regulation
- Stable performance
- Brush type

## CONTROL PANEL

### Include:

- 2 sockets for single phase
- Thermal breaker
- Sockets placed on the rear of the alternator

## OPTIONS / ACCESORIES

- 22mm. Frame
- Electric start for all the models
- Other sockets connection
- Wheel kit



32mm steel tube provides strong full frame



Output socket in the alternator end provides fast and reliable connection



vibration absorber support the whole generator set

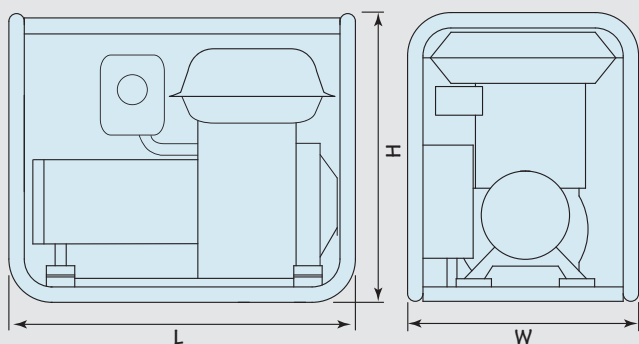


AVR regulation ensures smooth voltage output

*Product might be different from photographs shown*



# Gasoline Generator Open Basic 11-12



## HYUNDAI



Ⓢ GASOLINE GENERATING SET  
 Ⓢ GROUPE ELECTROGENE ESSENCE  
 Ⓢ BENZIN STROMERZEUGER  
 Ⓢ GRUPO ELECTROGENO GASOLINA  
 Ⓢ GRUPPI ELETTROGENI BENZINA



TYPE:   
 FREQUENCY/VOLTAGE: \_\_\_ Hz / \_\_\_ V   
 \_\_\_ HZ / \_\_\_ V   
 N.W./P.N. KG G.W./P.B. KG  
 LXWXH: (mm)  
 No.:

Model	Product Size (mm)			Packaging Size (mm)			Package Material
	Length	width	height	Length	width	height	
HY3000I	610	450	460	640	480	490	Carton
HY6000I	720	520	540	750	550	590	Carton
HY7000I	720	520	540	750	550	590	Carton

Generator Model	HY3000I	HY6000I	HY7000I
<b>Generator Set</b>			
Frequency (Hz)	50	50	50
Rated Power	2.5 kW	4.0 kW	5.0 kW
Max.Power	2.8 kW	4.4 kW	5.5 kW
Voltage (V)	230	230	230
Current (A)	12	19.1	24
Sockets	2x16A	2x16A	2x16A
Display	-	-	-
Fuel Tank Capacity (L)	3.6	6.5	6.5
Running Time under 50% Load (hr.)	7	7.5	7.3
Noise Level behind 7 Meters 50% Load (dBA)	67	68	68.5
DC Output (V/A)	-	-	-
Battery (Ah)	-	-	-
<b>Engine</b>			
Engine Type	Gasoline	Gasoline	Gasoline
Engine	IC210	IC340	IC390
Power Output (HP)	6.5	11.0	13.0
Start Method	Manual start	Manual start	Manual start
Displacement (ml)	212	337	389
Oil Capacity (L)	0.6	1.1	1.1
<b>Alternator</b>			
Alternator	A25I	A4I	A5I
Rated Power (kVA)	2.5	4	5
Power Factor (Cosφ)	1	1	1
Voltage Regulation	AVR	AVR	AVR
<b>Log.data</b>			
N.W.(kg)	39	65	66
G.W.(kg)	42	68	69
Loading capacity 20/40/40HQ	168/348/432	122/257/257	122/257/257

HY-gasoline generator set I-Basic serie

● Specifications are subject to continuous product development

## FEATURES

- Full frame for better protection diameter 32mm.
- Simple frame design to reduce weight
- Oil alert with automatic engine shut off

## ENGINE

- 4 stroke air cooled gasoline engine
- Low vibration and low noise
- Quick and easy start
- A small dimensions engine to stand for a hard work
- Miniaturized fuel injection system
- Low fuel consumption

## ALTERNATOR

- Compact and light design
- AVR regulation
- Stable performance
- Brush type
- Optional Brushless type

## CONTROL PANEL

### Include:

- Precise overload protection over measurement of current.
- LED display HY502
- 30 mA Leakage Circuit Breaker
- Single Phase 2 sockets 16A
- DC output 12V 8.3Amp. with 1.5m cable
- Earth connection

## OPTIONS / ACCESORIES

- 22mm. Frame
- Other control panel configurations
- Weather proof components
- Electric start for all the models
- Easy connector for control panel
- ATS connection (only for IC420 engine)
- Remote control (only for IC420 engine)



Professional panel  
4 functions LED display & 30mA  
leakage circuit breaker



32mm steel tube  
provides strong frame



Inclined control panel  
for easy read



Easy connector  
to control box

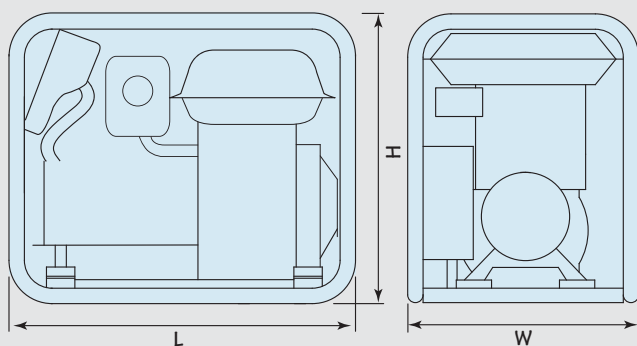


AVR regulation  
ensures smooth voltage output



basic control panel  
available for HY2500 & HY3100

*Product might be different from photographs shown*



## HYUNDAI



Ⓔ GASOLINE GENERATING SET  
 Ⓣ GROUPE ELECTROGENE ESSENCE  
 Ⓢ BENZIN STROMERZEUGER  
 Ⓔ GRUPO ELECTROGENO GASOLINA  
 Ⓣ GRUPPIELETTROGENI BENZINA



TYPE:

FREQUENCY/VOLTAGE: \_\_\_ Hz/\_\_\_ V

\_\_\_ Hz/\_\_\_ V

N.W./P.N. KG G.W./P.B. KG

LXWXH: (mm)

No.: \_\_\_\_\_

Model	Product Size (mm)			Packaging Size (mm)			Package Material
	Length	width	height	Length	width	height	
HY2500	590	450	500	620	480	530	Carton
HY3000	590	450	500	620	480	530	Carton
HY6000	700	530	550	730	560	580	Carton
HY9000	700	530	550	730	560	580	Carton

Generator Model	HY2500	HY3100	HY6000	HY9000
<b>Generator Set</b>				
Frequency (Hz)	50	50	50	50
Rated Power	2 kW	2.5 kW	4 kW	6 kW
Max.Power	2.2 kW	2.8 kW	4.4	6.6 kW
Voltage (V)	230	230	230	230
Current (A)	9.5	12.1	19.1	26
Sockets	2x16A	2x16A	2x16A	1x16A & 1x 32A (1)
Display	LED4	LED4	LED4	LED4
Fuel Tank Capacity (L)	3.6	3.6	6.5	6.5
Running Time under 50% Load (hr.)	7	6.8	6.5	6
Noise Level behind 7 Meters 50% Load (dBA)	67	67	68	68
DC Output (V/A) (2)	12 / 8.3	12 / 8.3	12 / 8.3	12 / 8.3
Battery (Ah)	-	-	-	-
<b>Engine</b>				
Engine Type	Gasoline	Gasoline	Gasoline	Gasoline
Engine	IC210	IC210	IC340	IC425
Power Output (HP)	6.5	6.5	11.0	16.0
Start Method	Manual start	Manual start	Manual start	Manual start
Displacement (ml)	212	212	337	420
Oil Capacity (L)	0.6	0.6	1.1	1.1
<b>Alternator</b>				
Alternator	A2C	A3C	A4C	A6C
Rated Power (kVA)	2	2.5	4	6
Power Factor (Cosφ)	1	1	1	1
Voltage Regulation	AVR	AVR	AVR	AVR
<b>Log.data</b>				
N.W.(kg)	40	42	79	81
G.W.(kg)	42	44	81	84
Loading capacity 20/40/40HQ	177/373/436	177/373/436	124/256/256	124/256/256

(1) Single phase socket thermal protected  
 (2) 100W max. output. 10A fuse protection



## FEATURES

- Large Fuel tank
- Oil alert with automatic engine shut off
- Full frame for better protection diameter 32mm.
- Big muffler to reduce harmful noise

## ENGINE

- 4 stroke air cooled gasoline engine
- Low vibration and low noise
- Quick and easy start
- A small dimensions engine to stand for a hard work
- Miniaturized fuel injection system
- Low fuel consumption

## ALTERNATOR

- Compact and light design
- AVR regulation
- Stable performance
- Brush type
- Optional Brushless type

## CONTROL PANEL

### Include:

- Precise overload protection over measurement of current.
- LED display LED4
- 30 mA Leakage Circuit Breaker
- Single Phase 2 sockets 16A
- DC output 12V 8.3Amp.with 1.5m cable
- Earth connection

## OPTIONS / ACCESORIES

- 22mm. Frame
- Other control panel configurations
- Weather proof components
- Electric start for all the models
- Easy connector for control panel
- ATS connection (only for IC420 engine)
- Remote control (only for IC420 engine)
- ATS prepared generator (only IC390/420)



32mm steel tube provides strong frame



vibration absorber base support the whole generator set



AVR regulation ensures smooth voltage output



Professional panel  
4 functions LED display & 30mA leakage circuit breaker



Exhaust outlet in side to avoid hot exhaust return into the alternator



Easy connector to control box

*Product might be different from photographs shown*



## FEATURES

- Large Fuel tank
- Oil alert with automatic engine shut off
- Full frame for better protection diameter 32mm.

## ENGINE

- 4 stroke air cooled gasoline engine
- Low vibration and low noise
- Quick and easy start
- A small dimensions engine to stand for a hard work
- Miniaturized fuel injection system
- Low fuel consumption

## ALTERNATOR

- Compact and light design
- AVR regulation
- Stable performance
- Brush type
- Optional Brushless type

## CONTROL PANEL

### Include:

- Precise overload protection over measurement of current.
- LED display HY502
- 30 mA Leakage Circuit Breaker
- Single Phase 2 sockets 16A
- DC output 12V 8.3Amp.with 1.5m cable
- Earth connection

## OPTIONS / ACCESORIES

- 22mm. Frame
- Other control panel configurations
- Weather proof components
- Electric start for all the models
- Easy connector for control panel
- ATS connection (only for IC420 engine)
- Remote control (only for IC420 engine)
- ATS prepared generator (only IC390/420)



Automatic starter  
selenoid motor for automatic  
CHOKE system



vibration absorber base  
support the whole generator set



AVR regulation  
ensures smooth voltage output



*Product might be different from photographs shown*



Professional panel  
4 functions LED display & 30mA  
leakage circuit breaker



Exhaust outlet in side  
to avoid hot exhaust return  
into the alternator



Easy connector  
to control box





## FEATURES

- Large Fuel tank
- Oil alert with automatic engine shut off
- Full frame for better protection diameter 32mm.

## ENGINE

- 4 stroke air cooled gasoline engine
- Low vibration and low noise
- Quick and easy start
- A small dimensions engine to stand for a hard work
- Miniaturized fuel injection system
- Low fuel consumption

## ALTERNATOR

- Compact and light design
- AVR regulation
- Stable performance
- Brush type
- Optional Brushless type

## CONTROL PANEL

### Include:

- LED display
- Precise overload protection over measurement of current
- 30 mA Leakage Circuit Breaker
- 2 sockets for single phase, 1 socket for three phase
- DC output 12V 8.3Amp.
- Earth connection

### Optional:

- ATS connection
- Remote control

## OPTIONS / ACCESORIES

- 22mm. Frame
- Other control panel configurations
- Different push wheel kits system
- Different/personal frame design
- Weather proof components
- Electric start for all the models



32mm steel tube provides strong frame half enveloped design for semi-soundproof



vibration absorber base support the whole generator set



AVR regulation ensures smooth voltage output



Professional panel 4 functions LED display & 30mA leakage circuit breaker



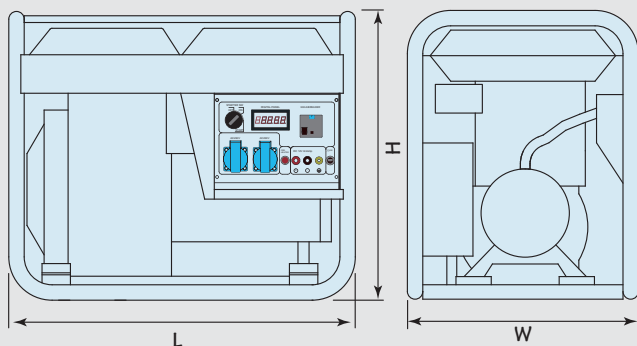
Exhaust outlet in backside to avoid hot exhaust return into the alternator



Easy connector to control box

*Product might be different from photographs shown*

# Gasoline Generator Semi-silent Professional 19-20



## HYUNDAI



- Ⓜ GASOLINE GENERATING SET
- Ⓣ GROUPE ELECTROGENE ESSENCE
- Ⓝ BENZIN STROMERZEUGER
- Ⓜ GRUPO ELECTROGENO GASOLINA
- Ⓛ GRUPPI ELETTROGENI BENZINA



TYPE:

FREQUENCY/VOLTAGE:  Hz /  V

Hz /  V

N.W./P.N. KG G.W./P.B. KG

LXWXH: (mm)

No.:

Model	Product Size (mm)			Packaging Size (mm)			Package Material
	Length	width	height	Length	width	height	
HY3100S/SE	610	485	470	630	505	500	Carton
HY5000S/SE	610	485	470	630	505	500	Carton
HY7000SE	720	530	580	740	550	610	Carton
HY7000SE-3	720	530	580	740	550	610	Carton
HY9000SE	720	530	580	740	550	610	Carton
HY9000SE-3	720	530	580	740	550	610	Carton

Generator Model	HY3100S(E)	HY5000S(E)	HY7000SE	HY7000SE-3	HY9000SE	HY9000SE-3
<b>Generator Set</b>						
Frequency (Hz)	50	50	50	50	50	50
Rated Power	2.5 kW	4.0 kW	5.0 kW	6.2 kVA	6 kW	7.5 kVA
Max.Power	2.8 kW	4.4 kW	5.5 kW	6.8 kVA	6.6 kW	8.2 kVA
Voltage (V)	230	230	230	400	230	400
Current (A)	12.1	19.1	24	9.9	28.7	11.9
Sockets	2x 16A	2x 16A	2x 16A	1x16A	1x 16A & 1x 32A (1)	1x 16A 3P & 1x 16 1P (1)
Display	LED4	LED4	LED4	LED4	LED4	LED4
Fuel Tank Capacity (L)	13	25	25	25	25	25
Running Time under 50% Load (hr.)	20	23	22	20	19	19
Noise Level behind 7 Meters 50% Load (dBA)	66	67	67	67	68	68
DC Output (V/A) (2)	12 / 8.3	12 / 8.3	12 / 8.3	12 / 8.3	12 / 8.3	12 / 8.3
Battery (Ah)	17	17	17	17	17	17
<b>Engine</b>						
Engine Type	Gasoline	Gasoline	Gasoline	Gasoline	Gasoline	Gasoline
Engine	IC210	IC340	IC390	IC390	IC425	IC425
Power Output (HP)	6.5	11.0	13	13	15	15
Start Method	Manual / elec. start	Manual / elec. start	Elec. start	Elec. start	Elec. start	Elec. start
Displacement (ml)	212	337	389	389	420	420
Oil Capacity (L)	0.6	1.1	1.1	1.1	1.1	1.1
<b>Alternator</b>						
Alternator	A3L	A4L	A5L	A5L-3	A6L	A6L-3
Rated Power (kVA)	2.5	4	5	6.2	6	7.5
Power Factor (Cosφ)	1	1	1	0.8	1	0.8
Voltage Regulation	AVR	AVR	AVR	AVR	AVR	AVR
<b>Log.data</b>						
N.w.(kg)	45	84	86	86	88	88
G.W.(kg)	48	87	89	89	91	91
Loading capacity 20/40/40HQ	158/330/410	124/256/256	124/256/256	124/256/256	124/256/256	124/256/256

(1) 16A phase socket thermal protected  
 (2) 100W max. output. 10A fuse protection

HY-gasoline generator set S-semi silent type E-electric start -3-three phase  
 Specifications are subject to continuous product development

## FEATURES

- 4 stroke air cooled diesel or gasoline engine
- Full frame for better protection diameter 32mm.
- Up to 4mm welding electrode.
- Large Fuel tank
- Oil alert with automatic engine shut off
- Welding current adjustment

## ENGINE

- Diesel engine D400E, Gasoline engine IC390E
- Low vibration and low noise
- Quick and easy start
- A small dimensions engine to stand for a hard work
- Miniaturized fuel injection system
- Low fuel consumption

## ALTERNATOR

- Compact and light design
- Stable performance
- Brush type with AVR regulation
- Max. welding current to 180/190A
- Model 190 design for professional use assure continuous weld arc.

## CONTROL PANEL

- Precise overload protection over measurement of current.
- 30 mA Leakage Circuit Breaker
- 1 socket for single phase
- DC output 12V 8.3Amp.
- Welding current adjustment
- Earth connection
- Welding/generator switch (for model 180)

## OPTIONS / ACCESORIES

- 22mm. Frame
- Other control panel configurations
- Different push wheel kits system
- Different/personal frame design
- Preheater for easy start for diesel engine
- Remote control for diesel engine
- wheel kit



**Professional panel**  
4 functions LED display & 30mA leakage circuit breaker



**Easy connector**  
to control box



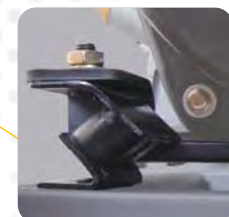
**AVR regulation**  
ensures smooth voltage output



**32mm steel tube**  
provides strong frame



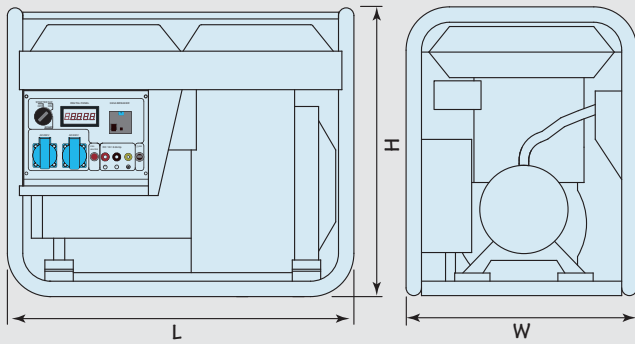
**Welding kit**  
optional accessory



**vibration absorber base**  
support the whole generator set

*Product might be different from photographs shown*

# Diesel or Gasoline Generating Welder 21-22



## HYUNDAI



Ⓜ GASOLINE GENERATING SET  
 Ⓜ GROUPE ELECTROGENE ESSENCE  
 Ⓜ BENZIN STROMERZEUGER  
 Ⓜ GRUPO ELECTROGENO GASOLINA  
 Ⓜ GRUPPI ELETTROGENI BENZINA



TYPE: \_\_\_\_\_   
 FREQUENCY/VOLTAGE: \_\_\_\_\_ Hz / \_\_\_\_\_ V   
 \_\_\_\_\_ Hz / \_\_\_\_\_ V   
 N.W./P.N. KG G.W./P.B. KG  
 LXWXH: \_\_\_\_\_ (mm)  
 No.: \_\_\_\_\_

Model	Product Size (mm)			Packaging Size (mm)			Package Material
	Length	width	height	Length	width	height	
DHW180AC	720	530	580	740	550	610	Carton
DHW190AC	720	530	580	740	550	610	Carton
HW180AC	610	485	470	630	505	500	Carton
HW190AC	610	485	470	630	505	500	Carton

Generator Model	DHW180AC	DHW190AC	HW180AC	HW190AC
<b>Generator Set</b>				
Frequency (Hz)	50	50	50	50
Rated Power	4.5 kW	2.5 kW (1)	4.5 kW	2.5 kW(1)
Max.Power	5 kW	2.8 kW	5 kW	2.8 kW
Voltage (V)	230	230	230	230
Rated welding current (A)	12	12	12	12
Rated welding voltage (V)	180	190	180	190
Display	LED4	LED4	LED4	LED4
Fuel Tank Capacity (L)	14	14	25	25
Running Time under 50% Load (hr.)	30	30	25	25
Noise Level behind 7 Meters (dBA)	77.5	77.5	68	68
DC Output (V/A) (2)	12 / 8.3	12 / 8.3	12 / 8.3	12 / 8.3
Battery (Ah)	36	36	36	36
<b>Engine</b>				
Engine Type	Diesel	Diesel	Gasoline	Gasoline
Engine	D400	D400	IC390	IC390
Power Output (HP)	10	10	13	13
Start Method	Electrical start	Electrical start	Electrical start	Electrical start
Displacement (ml)	418	418	389	389
Oil Capacity (L)	1.65	1.65	1.1	1.1
<b>Alternator</b>				
Alternator	A5W	A5W190	A5W	A5W
Rated Power (kVA)	2.5	2.5	2.5	2.5
Power Factor (Cosφ)	1	1	1	1
Voltage Regulation	AVR	AVR	AVR	AVR
<b>Log.data</b>				
N.W.(kg)	110	112	97	97
G.W.(kg)	113	115	99	99
Loading capacity 20/40/40HQ	102/213/281	102/213/281	124/256/256	124/256/256

(1) Can not use welding and power generation at the same time **D-diesel engine AC-welder set**

Designed for professional use in welding

(2) 100W max. output. 10A fuse protection

● Specifications are subject to continuous product development



## FEATURES - DIESEL ENGINE

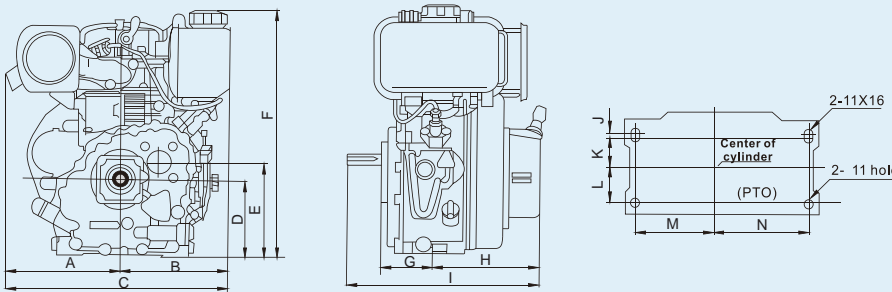
- Air cooled, vertical single cylinder, 4 stroke diesel
- All model featured with direct injection
- All models are counter balanced for high speed operation
- Recoil or electric start
- Multiple PTO shafts available
- Horizontal shaft, oil alert

Diesel Engine Model	D200/E		D300/E		D400/E	
Single cylinder, vertical, 4-stroke, air-cooled						
BoreXstroke [mm(in)]	70x55 (2.76x2.11)		78x62 (3.07x2.44)		86x72 (3.39x2.83)	
Displacement [L(cc)]	0.211 (211)		0.296 (296)		0.418 (418)	
Compression ratio	20:1		20:1		19:1	
Rated speed (rpm)	3000	3600	3000	3600	3000	3600
Rated power [kW(Hp)]	2.5 (3.4)	2.8 (3.8)	3.68 (5.0)	4.0 (5.5)	5.9 (8.0)	6.6 (9.0)
Max. power [kW(Hp)]	2.8 (3.8)	3.1 (4.2)	4.0 (5.5)	4.4 (6.0)	6.6 (9.0)	7.3 (10.0)
Fuel tank capacity [L(US.gal)]	2.5 (0.66)		3.5 (0.92)		5.5 (1.45)	
Fuel consumption [L(US.gal)/hr.]	≤1.01 (0.26)		≤1.41 (0.37)		≤2.15 (0.57)	
Lube oil capacity [L(US.gal)]	0.75 (0.20)		1.1 (0.29)		1.65 (0.435)	
Starting Fashion	Recoil starter / Elec. starter					
Output Shaft	crankshaft / camshaft					
Fuel trademark	0#(summer), -10#(winter) diesel					
Oil trademark	CD grade or SAE10W-30 15W-40					
Net Weight [kg(lbs)]	Recoil start=27 (59.4);Elec. Start=31 (68.2)		Recoil start=33 (72.7);Elec. Start=38 (83.7)		Recoil start=48 (105.6);Elec. Start=53 (117)	
Overall dimension L×W×H [mm(in)]	332x392x416 (13.07x15.43x16.37)		383x421x450 (15.07x16.57x17.71)		417x470x494 (16.42x18.50x19.45)	



D: diesel engine    200:model code    E: electric start

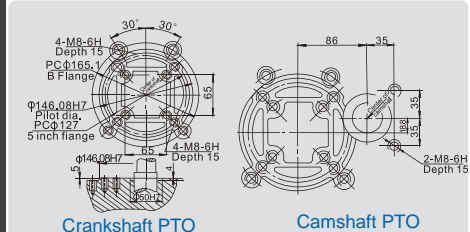
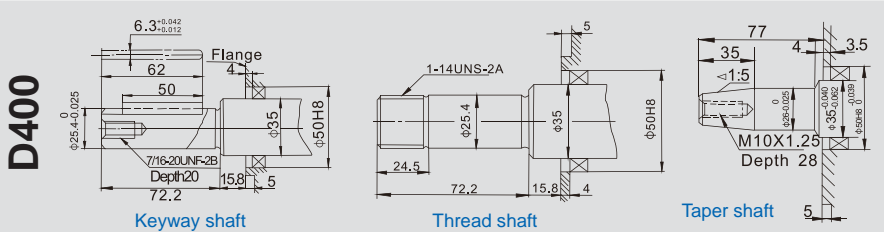
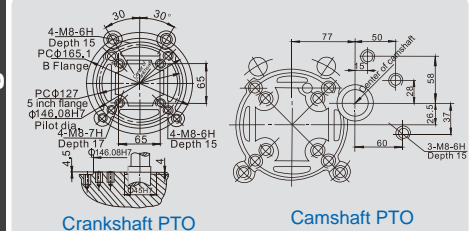
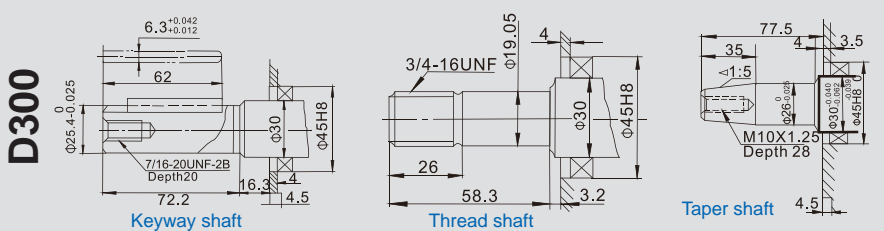
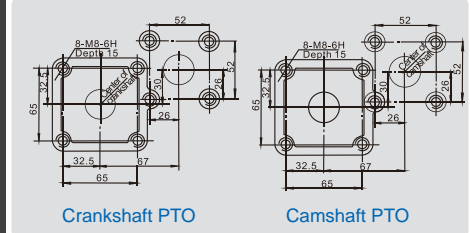
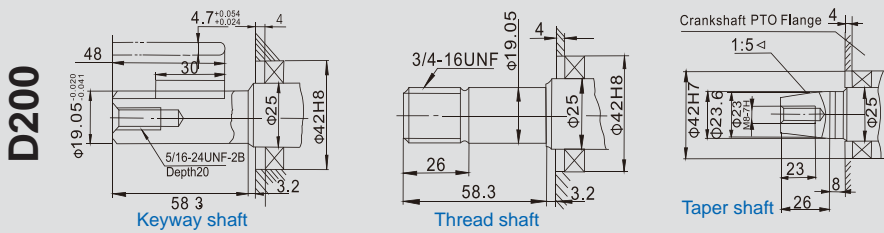
## Engine Dimensions



	D200	D300	D400		D200	D300	D400
A	218	218	247	H	185	199	224
B	192	203	223	I	332	383	417
C	392	421	470	J	5	5	5
D	130	145	155	K	35.5	41.5	43.5
E	160	171.8	178.3	L	38.5	43.5	51.5
F	416	450	494	M	95	104	117
G	86	96	105	N	115	144	155

PTO Dimensions

PTO Flagers







## Control panel

### Diesel Open

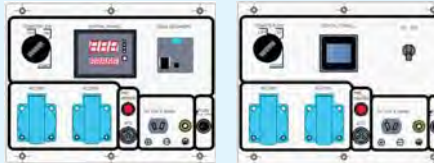
Single Phase Manual Start



CPD11M-LED4

CPD41M-LED3

Single Phase Electric Start



CPD11E-LED4

CPD41E-LED3

Three Phase Manual Start (1)



CPD12M-LED4

CPD42M-LED3

Three Phase Electric Start (1)

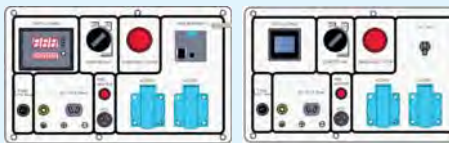


CPD12E-LED4

CPD42E-LED3

### Diesel Silent

Single Phase Electric Start



CPD14E-LED4

CPD43E-LED3

Three Phase Electric Start (1)



CPD15E-LED4

CPD44E-LED3

### Gasoline Economic

Single Phase Manual Start 2 to 5.5 kW



CPG11M-LED4

CPG41M-LED3

Single Phase Manual Start 6kW



CPG12M-LED4

CPG42M-LED3

### Gasoline Professional

Single Phase Manual Start 2 to 5.5 kW



CPG11M-LED4

CPG41M-LED3

Single Phase Manual Start 6kW



CPG12M-LED4

CPG42M-LED3

### Gasoline Professional

Single Phase Electric Start 2 to 5.5 kW



CPG11E-LED4

CPG41E-LED3

Single Phase Electric Start 6 kW



CPG12E-LED4

CPG42E-LED3

Three Phase Manual Start



CPG13M-LED4

CPG43M-LED3

Three Phase Electric Start



CPG13E-LED4

CPG43E-LED3

## Sockets



Australian  
15A 250V



Australian  
15A 250V



Australian  
32A 500V

### European



16A 250V



32A 250V



63A 250V



16A 415V



16A 415V

### UK



16A 125V  
32A 125V



16A 250V  
32A 250V



200-346  
240-415 16A



13A 250V

### American



20A 125V



30A 125V  
30A 250V



30A 125V  
30A 250V

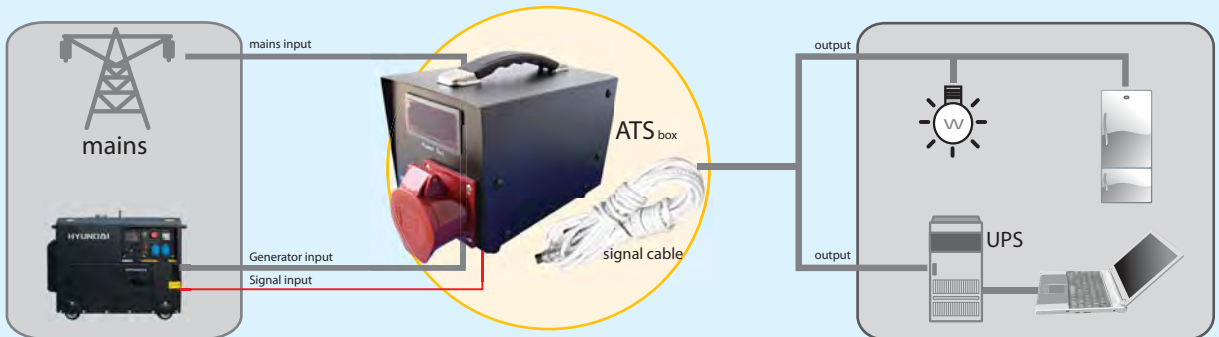
## Remote control



50m →



## ATS box



## Frame



32mm steel tube frame



22mm steel tube frame



Square tube frame

## Push wheel kit



## Maintenance kit

Diesel Generator

Gasoline Generator



air filter core



fuel filter



oil filter



air filter core



spark plug

Product might be different from photographs shown



## ✂ Diesel engine



**Diesel engine**



air filter



fuel filter



oil filter



gaskets kit



gear case gasket



cylinder gasket



injecting pump gasket



piston rings set



oil seal



connecting rod bush



main bush



speed adjusting spring



injecting pump



injector



high pressure pipe



fuel pipe



oil dipstick



piston



connecting rod



piston pin



needle bearing



bearing



flywheel alternator



start motor



recoil starter assy



muffler assy



voltage regulator

## ✂ Gasoline engine



**Gasoline engine**



air filter



spark plug



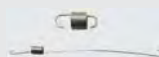
gaskets set



cylinder set



piston rings set



springs kit



fuel cock



transistor & spark plug cap



carburetor



main bush



oil seal



piston



piston pin



flywheel alternator & wires



connecting rod



oil dipstick



bearing



recoil starter assy



start motor



muffler assy

## ✂ Alternator



alternator



AVR



alternator brush



rectifier bridge

## ✂ Control panel



control panel



LED3



LED4



fuse kit



double voltages relay



start key



circuit breaker



air pre-heater / renew button



thermal breaker



ON-OFF switch



E-stop button



DC fuse



remote controller



ATS sensor



voltage meter



leakage breaker-1 phase



leakage breaker-3 phase



fast cable connector



DC output connector kit



battery

## ✂ Frame



frame



fuel tank cap



prime fuel filter



fuel tank assy



rubber absorber



fuel gauge





#### CHINA

#### Factory

Changzhou ITC Power Equipment Manufacturing Co.,Ltd.  
No.7 Rongsheng Road, Cuibei, Henglin Town, Changzhou city,  
Jiangsu Province, P.R.China  
Post code:213103  
Tel:+86 519 85099001  
Fax:+86 519 85099002  
Email: info@itc-power.com.cn

#### FRANCE

#### Office & Warehouse

S.A.S United Power Europe  
6, rue-Ferdinand de Lesseps F-66280 SALEILLES FRANCE  
Tel: +334 68 28 31 90  
Fax: +334 68 28 64 06  
Email:info@itc-power.com

#### SPAIN

#### Office & Warehouse

Kat Power International, S.L.  
Avda d'Alguema, n.6C 17771  
Sta. Llogaia d'Alguema SPAIN  
Tel: +34 972 538521  
Fax: +34 972 980537  
Email: info@itcpower.com

